



# T321 LEDB

14" SKYLINE SERIES

T321 LEDB-WS140

## JOB INFORMATION

Type: \_\_\_\_\_  
 Catalog No: \_\_\_\_\_  
 Project Name: \_\_\_\_\_  
 Comments: \_\_\_\_\_  
 Prepared by: \_\_\_\_\_

### USE OF PRODUCT

The Skyline LED luminaire delivers exceptional performance in a sleek low-profile design that is lumen and color temperature selectable with multiple distribution and mounting options. The intended use of this product is for building areas, parking lots, auto dealerships, roadways, walkways, pedestrian pathways, and security lighting.

### CONSTRUCTION

Die-cast aluminum fixture with isolated driver compartment and finned heat sink keep electrical temperatures in suitable ratings for optimal performance. Standard bronze matte finish. Consult factory for made-to-order architectural finish.

### FINISH

Bronze matte-finished, architectural powder coat over a precise chromate conversion coating. Consult factory for made-to-order architectural finish.

### ELECTRICAL

Durable LED driver operates at 120V–277V or 347V–480V, with 0–10V dimming protocol. Standard 10KA (120–277V) or 20KA (347V–480V) surge protector; THD: ≤20%; power factor: ≥90%. Power selectable driver allows for easy lumen adjustment.

### LED

Color temperature selectable (3000K, 4000K, 5000K) LEDs. Estimated 100,000-hour LED lifespan based on LM-80 and TM-21 calculations.

### OPTICS

Precisely designed optics to maximize distribution, efficiency, and spacing. Available in Type II, III, IV, and V distributions. Optional glare control shields available upon request.

### CONTROLS

-40°C minimum temperature, +45°C maximum temperature.

### AMBIENT TEMPERATURE

Optional occupancy sensor, microwave sensor, NEMA 3-pin, NEMA 7-pin, or button photocell available upon request.

### DRIVER

Durable LED driver operates at 120–277V with 0–10V dimming protocol. Power factor: 0.90; 50 to 60 Hz. Driver protections include output open load, over-current and short-circuit, and over-temperature with auto recovery. -30°C minimum temperature to 40°C maximum temperature.

### MOUNTING

Numerous mounting options are available fixed round/square arm mount, slipfitter, wall mount, yoke mount, and adjustable arm mount. Fixture pole must be mounted on a concrete base (supplied by others).

### LISTINGS/COMPLIANCE/ WARRANTY

- UL wet location listed.
- DLC qualified.
- 5-year limited warranty.



## ORDERING INFO

SERIES	WATT/LUMENS	COLOR TEMPERATURE	VOLTAGE	DISTRIBUTION TYPES
T321 LEDB	WS100 - Wattage Selectable (40W 60W, 80W, 100W) S40W - Set at 40W S60W - Set at 60W S80W - Set at 80W S100W - Set at 100W	CTS - Color Temperature Selectable (3000K, 4000K, 5000K) S30K - Color Temp. set at 3000K S40K - Color Temp. set at 4000K S50K - Color Temp. set at 5000K	UNV <sup>1</sup> - 120V-277V 480V - 347-480V	T2 - Type II T3 <sup>2</sup> - Type III T4 - Type IV T5 - Type V
	WS140 - Wattage Selectable (60W, 90W, 120W, 140W) S60W - 60W S90W - 90W S120W - 120W S140W - 140W			

### MOUNTING

AAM - Adjustable Arm Mount  
 SF - Slipfitter  
 WM - Fixed Wall Arm Mount  
 AMR - Arm Mount Round  
 AMS - Arm Mount Square  
 SB - Swivel Bracket  
 TWMB-SF - Wall Mount Bracket with Slipfitter  
 TWMB90-SF - Wall Mount 90° Bracket with Slipfitter

### FINISH

BZ - Bronze  
 MTO - Made To Order  
 MGTO - Marine Grade Made To Order

### OPTIONS

GV90 - 90° Glare Visor  
 GV360 - 360° Glare Visor  
 SGS140 - Slatted Glare Shield (PAIR) 140W  
 MSI - Standard PIR Motion Sensor Integral  
 MSR<sup>3</sup> - Motion Sensor PIR Remote  
 RC100 - Remote Control for Motion Sensor  
 PN3 - Photocell NEMA 3 Pin  
 PN3480 - Photocell NEMA 3 Pin 480V

#### Notes

1. DLC only available in 120V-277V.
2. Standard distribution type.
3. Connect and go.

# T321LEDB

## 14" SKYLINE SERIES

### T321LEDB-WS100 PERFORMANCE CHART

SYSTEM WATTS	DISTRIBUTION TYPE	CRI	3000K		4000K		5000K	
			LUMENS	LPW	LUMENS	LPW	LUMENS	LPW
100W	II	70	14,500 lm	145 lm/W	15,800 lm	158 lm/W	15,000 lm	150 lm/W
	III	70	14,500 lm	145 lm/W	15,800 lm	158 lm/W	15,000 lm	150 lm/W
	IV	70	14,500 lm	145 lm/W	15,800 lm	158 lm/W	15,000 lm	150 lm/W
	V	70	15,100 lm	151 lm/W	16,000 lm	160 lm/W	15,600 lm	156 lm/W
80W	II	70	12,000 lm	150 lm/W	13,000 lm	163 lm/W	12,500 lm	156 lm/W
	III	70	12,000 lm	150 lm/W	13,000 lm	163 lm/W	12,500 lm	156 lm/W
	IV	70	12,000 lm	150 lm/W	13,000 lm	163 lm/W	12,500 lm	156 lm/W
	V	70	12,500 lm	156 lm/W	13,300 lm	166 lm/W	12,800 lm	160 lm/W
60W	II	70	9,300 lm	155 lm/W	10,000 lm	167 lm/W	9,600 lm	160 lm/W
	III	70	9,300 lm	155 lm/W	10,000 lm	167 lm/W	9,600 lm	160 lm/W
	IV	70	9,300 lm	155 lm/W	10,000 lm	167 lm/W	9,600 lm	160 lm/W
	V	70	9,600 lm	160 lm/W	10,200 lm	170 lm/W	9,850 lm	164 lm/W
40W	II	70	6,400 lm	160 lm/W	6,800 lm	170 lm/W	6,560 lm	164 lm/W
	III	70	6,400 lm	160 lm/W	6,800 lm	170 lm/W	6,560 lm	164 lm/W
	IV	70	6,400 lm	160 lm/W	6,800 lm	170 lm/W	6,560 lm	164 lm/W
	V	70	6,560 lm	164 lm/W	7,000 lm	175 lm/W	6,700 lm	168 lm/W

\*Lumens values are rounded for clarity. Exact photometric data is available in the IES files.

### T321LEDB-WS140 PERFORMANCE CHART


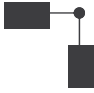


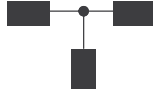
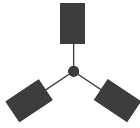

SYSTEM WATTS	DISTRIBUTION TYPE	CRI	3000K		4000K		5000K	
			LUMENS	LPW	LUMENS	LPW	LUMENS	LPW
140W	27	70	20,000 lm	147 lm/W	23,000 lm	164 lm/W	21,000 lm	150 lm/W
	37	70	20,000 lm	147 lm/W	23,000 lm	164 lm/W	21,000 lm	150 lm/W
	47	70	20,000 lm	147 lm/W	23,000 lm	164 lm/W	21,000 lm	150 lm/W
	57	70	21,000 lm	150 lm/W	23,500 lm	168 lm/W	21,500 lm	154 lm/W
120W	27	70	18,000 lm	150 lm/W	20,000 lm	167 lm/W	18,500 lm	154 lm/W
	37	70	18,000 lm	150 lm/W	20,000 lm	167 lm/W	18,500 lm	154 lm/W
	47	70	18,000 lm	150 lm/W	20,000 lm	167 lm/W	18,500 lm	154 lm/W
	57	70	18,500 lm	154 lm/W	20,500 lm	171 lm/W	19,000 lm	158 lm/W
90W	27	70	13,800 lm	153 lm/W	15,200 lm	169 lm/W	14,200 lm	158 lm/W
	37	70	13,800 lm	153 lm/W	15,200 lm	169 lm/W	14,200 lm	158 lm/W
	47	70	13,800 lm	153 lm/W	15,200 lm	169 lm/W	14,200 lm	158 lm/W
	57	70	14,000 lm	156 lm/W	15,600 lm	172 lm/W	14,500 lm	161 lm/W
60W	27	70	9,400 lm	157 lm/W	10,300 lm	172 lm/W	9,700 lm	162 lm/W
	37	70	9,400 lm	157 lm/W	10,300 lm	172 lm/W	9,700 lm	162 lm/W
	47	70	9,400 lm	157 lm/W	10,300 lm	172 lm/W	9,700 lm	162 lm/W
	57	70	9,600 lm	160 lm/W	10,500 lm	175 lm/W	10,000 lm	167 lm/W

\*Lumens values are rounded for clarity. Exact photometric data is available in the IES files.

# T321LEDB

14" SKYLINE SERIES

## EPA OF AREA LIGHT

ITEM							
	1	2 @90°	2 @120°	2 @180°	3 @90°	3 @120	4 @90°
WS100 / WS140	0.3632	0.6849	0.8861	0.7264	1.0481	1.2078	1.0481

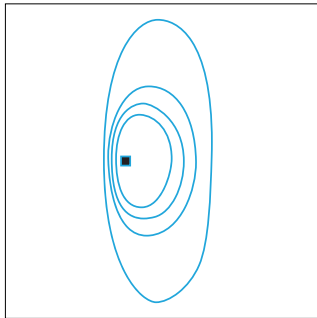
### T321LEDB-WS100 B.U.G. RATING

WATTS	DISTRIBUTION	B U G
100W	Type II	3 0 3
	Type III	3 0 3
	Type IV	3 0 2
	Type V	4 0 2

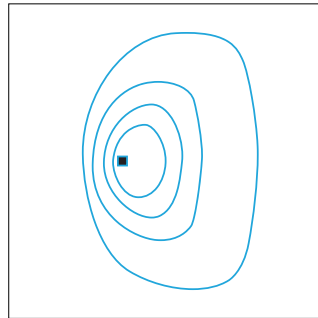
### T321LEDB-WS140 B.U.G. RATING

WATTS	DISTRIBUTION	B U G
140W	Type II	3 0 3
	Type III	3 0 3
	Type IV	3 0 3
	Type V	4 0 2

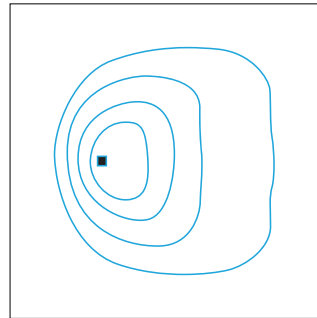
## LIGHT DISTRIBUTION



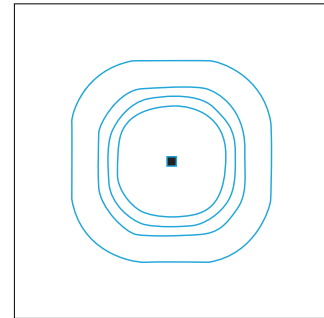
**TYPE II** DISTRIBUTION TYPE



**TYPE III** DISTRIBUTION TYPE



**TYPE IV** DISTRIBUTION TYPE

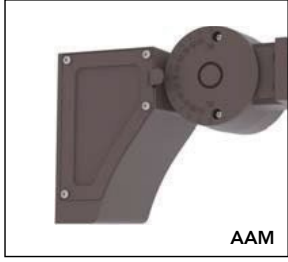


**TYPE V** DISTRIBUTION TYPE

# T321LEDB

14" SKYLINE SERIES

## MOUNTING OPTIONS



AAM



SF



WM



AMR, AMS



SB

### ADJUSTABLE ARM MOUNT

Standard versatile mounting arm is simple to install and can be used with existing poles for retrofit installations.

### SLIPFITTER MOUNT

An optional cast aluminum mast arm adapter secures fixture head to nominal 2-3/8" O.D. horizontal steel tenon arm.

### WALL MOUNT

Wall Mount is easy to install for direct wall mounting with 1/2" conduit wiring or standard J-box mounting.

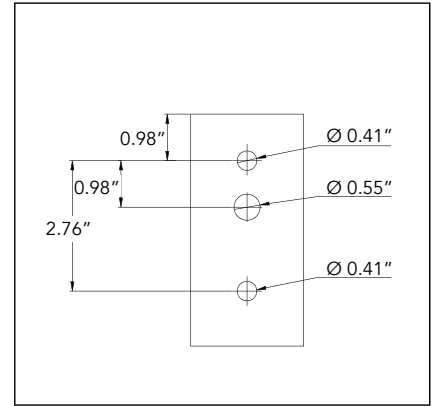
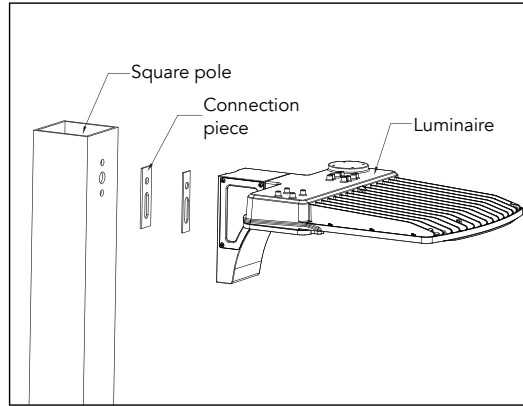
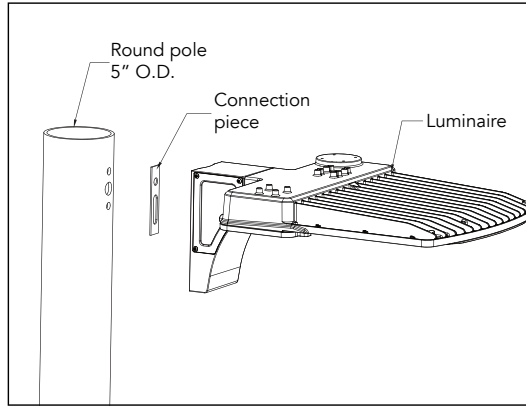
### ARM MOUNT

(4" & 5" Square and Round poles) Standard versatile mounting arm is simple to install and can be used with existing poles for retrofit installations.

### SWIVEL BRACKET

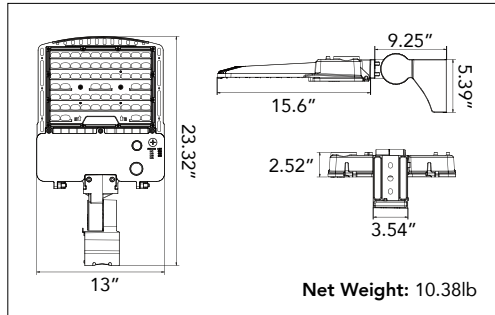
Die-cast aluminum bracket is easily adapted to many surfaces and allows easy aiming angles.

## MOUNTING

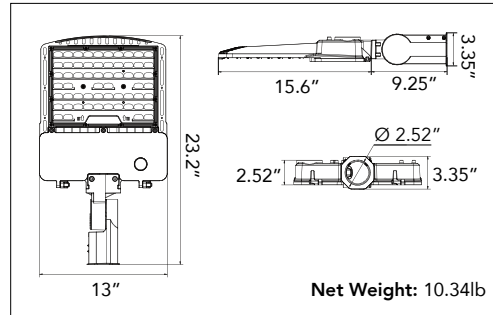


## DIMENSIONS

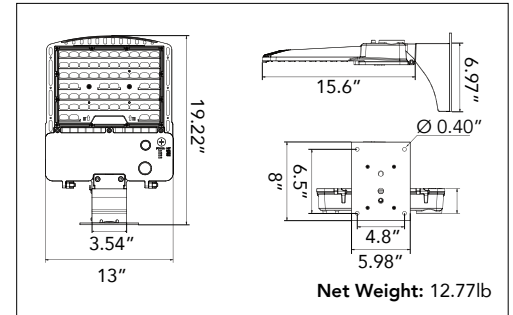
### AAM - Adjustable Arm Mount



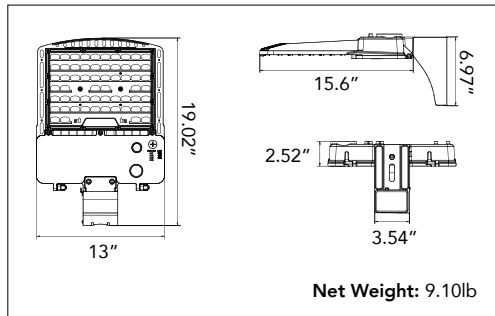
### SF - Slipfitter Mount



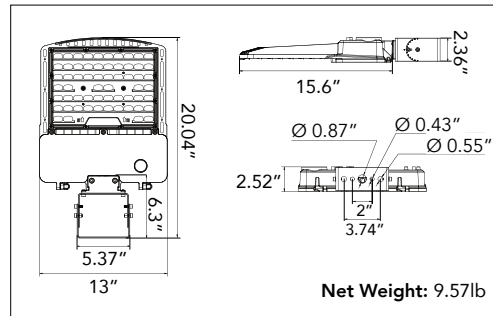
### WM - Fixed Wall Arm Mount



### AMR - Arm Mount Round AMS - Arm Mount Square



### SB - Swivel Bracket

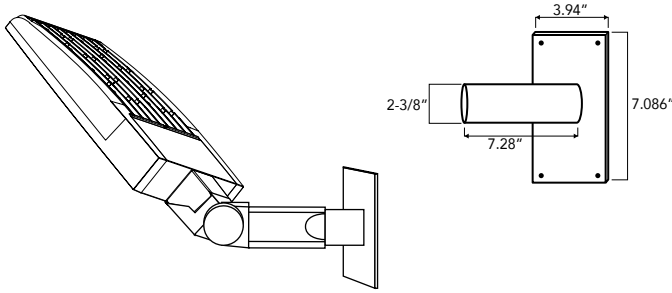


# T321LEDB

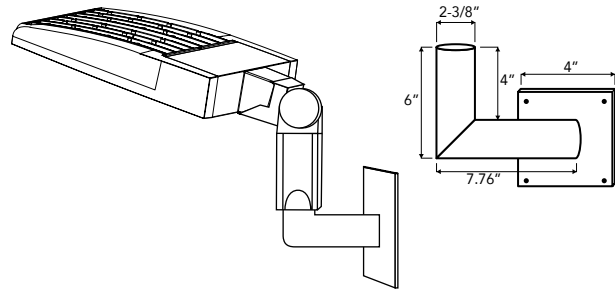
14" SKYLINE SERIES

## WALL MOUNT BRACKET WITH SLIPFITTER

**TWMB-SF** - WALL MOUNT BRACKET WITH SLIPFITTER



**TWMB90-SF** - WALL MOUNT 90° BRACKET WITH SLIPFITTER



## GLARE VISOR OPTIONS

**GV90** - 90° Glare Visor



**GV360** - 360° Glare Visor



**SGS140** - Slatted Glare Shield 140V

**SGS300** - Slatted Glare Shield 300V

